

ECOBLOX

WORKBENCH



THURMETALL

ECOBLOX: ASSEMBLE AND WORK

Discover the EcoBlox workbench - the stable and durable construction for effortless self-assembly! Easy to transport in practical, handy packages and easy to assemble, the EcoBlox workbench can withstand even the highest demands. Whether you are a **professional or a DIY enthusiast** - with the EcoBlox workbench, you can bring quality and flexibility directly into your home!

SIMPLE

- Supplied in compact separate components for single transport and storage
- Easy and quick to install
- Packaging in easy-to-handle cardboard boxes

ROBUST

- Extremely stable connecting construction
- Frame with scratch-resistant ERLOX coating
- Drawer fronts and hinged door with scratch-resistant powder coating

BLOX

Blox are the modules for individual configuration of the workbench:

- Drawers
- Hinged doors
- Shelves



SUSTAINABILITY



PURCHASING AND PROCUREMENT

Thur Metall is committed to respecting ethics, human rights and is compliance in accordance with the UN Guiding Principles on Business and Human Rights



PRODUCTION

The ongoing modernisation of our production facilities enables the continuous reduction of energy consumption and the CO² emissions



PACKING AND SHIPPING

Packaging material is 100% ecologically recyclable. Packaging sizes are optimised for transport



USE AND MAINTENANCE

Thanks to the highest quality standards, Thur Metall products have a long service life



DISPOSAL

All Thur Metall products are easy to dismantle and can therefore be disposed according to material type



RECYCLING

The steel processed by Thur Metall consists of 20 % recycled material and can be completely reused

ERLOX

OUR STEEL SHEET OF THE FUTURE

The metallic ERLOX coating is durable, robust and visually appealing. It offers 3× more corrosion protection than hot-dip galvanization and remains intact in the event of minor scratches. It is also more environmentally friendly, as less water and energy are required, and no other coatings are used. This makes the durable sheet steel ideal for industrial use.

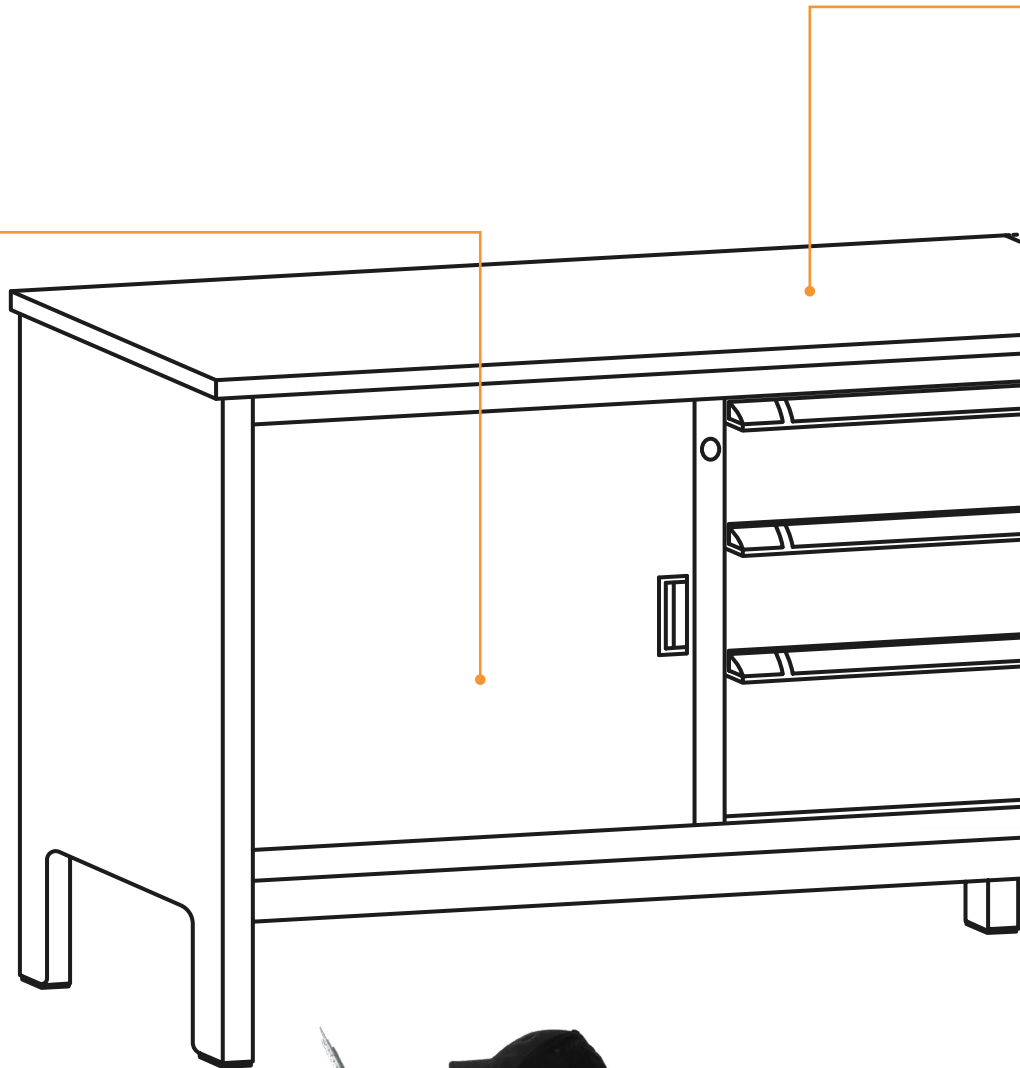
SIMPLY STRONG

In addition to the robust and durable construction of the EcoBlox workbench, particular emphasis was placed on high functionality and sustainability. The use of a durable 20 mm multiplex top in combination with a stable frame construction and the resource-saving use of ERLOX are just a few examples of this.



HINGED DOOR SET

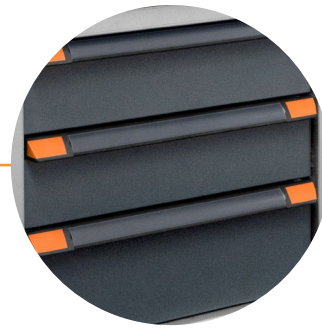
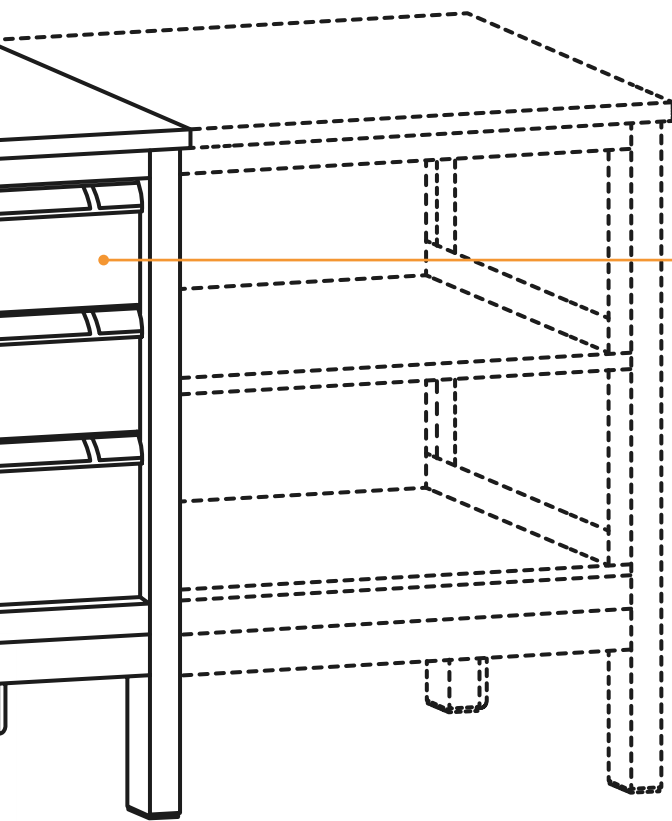
- W × H: 545 × 500 mm
- Can be mounted either on the left or the right side
- Magnetic stopper
- Powder coating colour: Anthracite RAL 7016





FRAME INCL. COUNTERTOP

- Available in 2 sizes: 1250 mm (2-Blox) or 1850 mm (3-Blox)
- Ergonomic working height of 870 mm
- Load capacity: 1000 kg
- Stable base cross-section: 70 × 40 mm
- Multiplex top (20 mm) from sustainable forestry (FSC)
- Incl. 4× (2-Blox) , 6× (3-Blox) shelves, load capacity 30 kg
- ERLOX coating



DRAWER SET WITH LOCK

- 3× drawers: 2 × 150, 1 × 200 mm
- Load capacity 75 kg, 100 % full extension
- Payload 500 × 600 mm (0.30 m²)
- Orange accentuated drawer corners
- Integrated label holder
- Incl. lock cylinder with 2× keys
- Powder coating colour: Anthracite RAL 7016

COMPACT SHIPPING



Hinged door set:

- Total packing dimensions: 555 × 510 × 50 mm
- 1× packaging box



Drawer set with lock:

- Total packing dimensions: 770 × 650 × 680 mm (3× 715 × 560 × 210 mm)
- 3 in 1× packaging box



Frame incl. countertop:

- 1500 / 1850 × 750 × 210 mm
- 4× packaging box

Promo video:



ORDER EXAMPLES

2-BLOX

W × H × D (mm): 1250 × 870 × 725

Set 2A

Item no.: 59.280.222

- 4× shelves



Set 2B

Item no.: 59.300.527

- 4× shelves
- 1× hinged door



Set 2C

Item no.: 59.301.527

- 2× shelves
- 3× drawers



Set 2D

Item no.: 59.302.527

- 2× shelves
- 1× hinged door
- 3× drawers



3-BLOX

W × H × D (mm): 1850 × 870 × 725

Set 3A

Item no.: 59.281.222

- 6× shelves



Set 3B

Item no.: 59.303.527

- 6× shelves
- 2× hinged doors



Set 3C

Item no.: 59.304.527

- 4× shelves
- 1× hinged door
- 3× drawers



Set 3D

Item no.: 59.305.527

- 4× shelves
- 2× hinged doors
- 3× drawers



ACCESSORIES FOR INDIVIDUAL CONFIGURATION

Hinged door set

Item no.: 59.282.200

- W × H: 545 × 500 mm
- Incl. magnetic stopper



Drawer set with lock

Item no.: 59.284.200

- 2× height 150 mm
- 1× height 200 mm
- Incl. lock



Plastic boxes

Item no.: 56.161.000

- Height: 80 mm
- 18 pieces
- Plastic, in grey colour



Slotted partitions and dividers

Item no.: 56.174.000 (FH 150)

56.178.000 (FH 200)

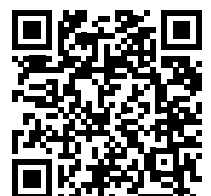
- **FH 150:** Height: 125 mm, 4 slotted partitions, 10 dividers
- **FH 200:** Height 150 mm, 3 slotted partitions, 8 dividers



EASY ASSEMBLY

The EcoBlox is designed to be installed quickly and without prior knowledge. Only **one tool** is required: a Torx30 key. Illustrated instructions and an installation video show the individual steps in a simple and comprehensive way.

Installation video:



The use of high-quality materials, state-of-the-art machine technology, environmentally friendly production processes, permanent quality control, and a highly motivated work team guarantee durability in a timelessly beautiful design at an impressive price-performance ratio.

Quality

Thur Metall drawer cabinets made of high-quality steel sheet and their matching workbenches are among the favourites in trade and industry. Whether in assembly halls, workshops, research laboratories, museums, hospitals, small parts warehouses or showrooms: Thur Metall impresses wherever tools, stored goods and small parts need to be available safely, space-savingly, clearly organised and within easy reach.

5 year guarantee

You can rely on our quality products. That's why we offer our customers a 5-year guarantee on our entire range. A guarantee period of 1 year applies to workbench tops and electronic parts.

Certified production

The manufacturing of Thur Metall products is based on the following standardised principles:

ISO 9001: Quality management.

ISO 14001: Environmental management system.

ISO 45001: Occupational health and safety management system.

High-quality surfaces

Using the latest powder coating technology for high abrasion resistance.

Sold exclusively through specialised dealers.

